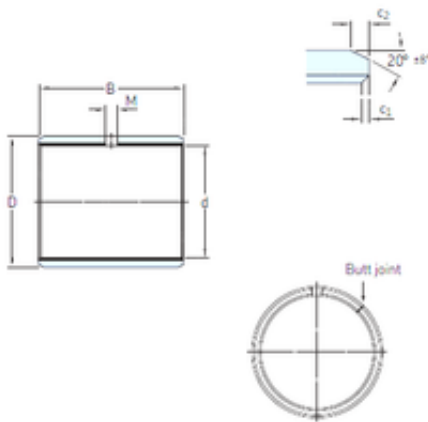




SKF BEARING rolling stock(Europe) G.m...



18 mm x 20 mm x 25 mm SKF PCM 182025 M plain bearings

Bearing No. PCM 182025 M

PCM 182025 M Bearing 2D drawings and 3D CAD models

Size	18x20x25 mm
Bore Diameter	18 mm
Outer Diameter	20 mm
Width	25 mm
d	18 mm
D	20 mm
B	25 mm
c1 min	0,1 mm
c2 min	0,2 mm
M	3 mm
Weight	0,0084 Kg
Basic dynamic load rating (C)	54 kN
c ₁ min.	0.1 mm
c ₁ max.	0.6 mm
c ₂ min.	0.2 mm
c ₂ max.	1 mm
± 8	20 °
Tolerance shaft	h8
Tolerance housing	H7
Basic dynamic load rating - radial direction C	54 kN
Basic static load rating - radial direction C ₀	112 kN
Specific dynamic load factor K	120 N/mm ²
Specific static load factor K ₀	250 N/mm ²



SKF BEARING rolling stock(Europe) G.m...

Factor depending on material and bearing type K_M	1900
Permissible sliding velocity v min.	0 m/s
Permissible sliding velocity v max.	2.5 m/s
Coefficient of friction μ min.	0.02
Coefficient of friction μ max.	0.2
Mass bushing	0.0084 kg