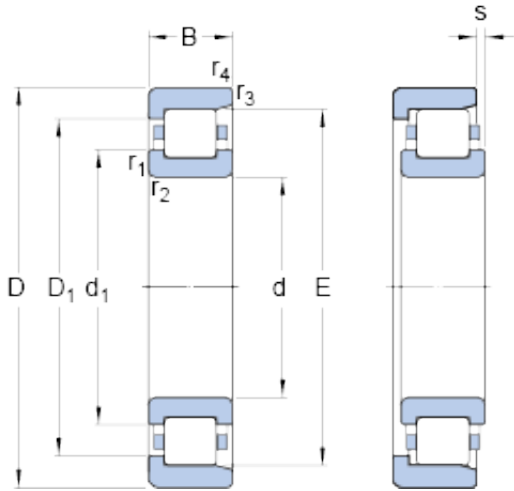




## SKF BEARING rolling stock(Europe) G.m...



### 35 mm x 80 mm x 21 mm SKF NF 307 ECP thrust ball bearings

Bearing No. NF 307 ECP

NF 307 ECP Bearing 2D drawings and 3D CAD models

Size	80x35x21 mm
Bore Diameter	80 mm
Outer Diameter	35 mm
Width	21 mm
d	35 mm
D	80 mm
B	21 mm
d <sub>1</sub>	51 mm
D <sub>1</sub>	65.8 mm
E	70.2 mm
r <sub>1,2</sub> - min.	1.5 mm
r <sub>3,4</sub> - min.	1.5 mm
s	1.2 mm
d <sub>a</sub> - min.	43 mm
D <sub>a</sub> - max.	72.2 mm
D <sub>b</sub> - min.	71.8 mm
r <sub>a</sub> - max.	1.5 mm
Basic dynamic load rating - C	75 kN
Basic static load rating - C <sub>0</sub>	63 kN
Fatigue load limit - P <sub>u</sub>	8.2 kN
Reference speed	9500 r/min
Limiting speed	11000 r/min
Calculation factor - k <sub>r</sub>	0.12
d <sub>1</sub>	51 mm



## SKF BEARING rolling stock(Europe) G.m...

$D_1$	65.8 mm
$r_{1,2}$ min.	1.5 mm
$r_{3,4}$ min.	1.1 mm
s max.	1.2 mm
$d_a$ min.	43 mm
$D_a$ max.	72.2 mm
$D_b$ min.	71.8 mm
$r_a$ max.	1.5 mm
Basic dynamic load rating C	75 kN
Basic static load rating $C_0$	63 kN
Fatigue load limit $P_u$	8.15 kN
Calculation factor $k_r$	0
Limiting value e	0.2
Axial load factor Y	0.6
Mass bearing	0.49 kg