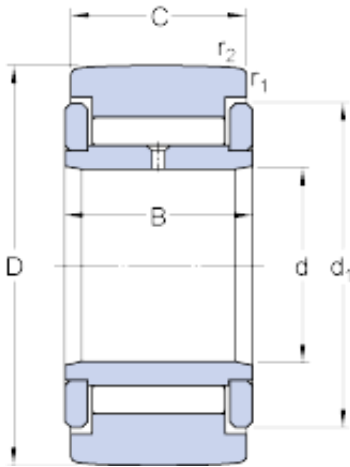




SKF BEARING rolling stock(Europe) G.m...



25 mm x 52 mm x 25 mm SKF NATV 25 cylindrical roller bearings

Bearing No. NATV 25

NATV 25 Bearing 2D drawings and 3D CAD models

Size	25x52x24 mm
Bore Diameter	25 mm
Outer Diameter	52 mm
Width	24 mm
D	52 mm
d	25 mm
C	24 mm
B	25 mm
d ₁	41.5 mm
r _{1,2} - min.	1 mm
Basic dynamic load rating - C	19.8 kN
Basic static load rating - C ₀	44 kN
Fatigue load limit - P _u	5.3 kN
Maximum static radial loads - F _r	28.5 kN
Maximum static radial loads - F _{0r}	40.5 kN
Limiting speed	1600 r/min
Category	Bearings
Inventory	0.0
Manufacturer Name	SKF
Minimum Buy Quantity	N/A
Weight / Kilogram	0
Product Group	B04144
d ₁	41.5 mm



SKF BEARING rolling stock(Europe) G.m...

$r_{1,2}$ min.	1 mm
Basic dynamic load rating C	19.8 kN
Basic static load rating C_0	44 kN
Fatigue load limit P_u	5.3 kN
Maximum dynamic radial loads F_r max.	28.5 kN
Maximum static radial loads F_{0r} max.	40.5 kN
Mass support roller	0.28 kg